

MS15XUX

1,500kg

Platform Stacker Truck



Productivity

- Advanced AC control system
- Regenerative brake system
- Anti-pin button (Reverses truck to prevent user being pinned)
- Quick emergency disconnect (QED)
- Creep speed button (fine control with tiller arm in vertical position).

Dependability

- Multi-function display with Battery Discharge Indicator (BDI) including on-board diagnostics
- Damping cushion for low-noise operation
- Low center of gravity ensures the stable operation.

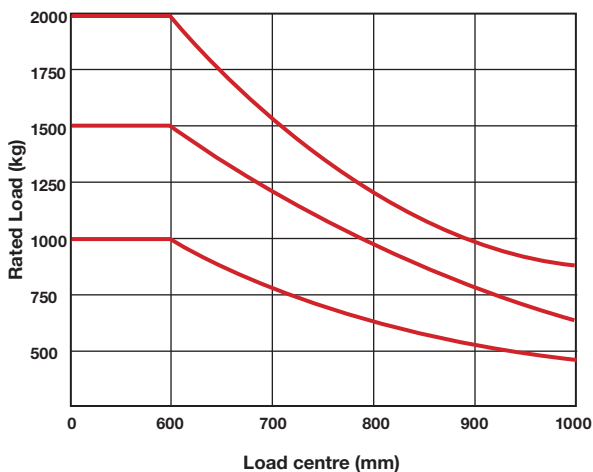
Serviceability

- Low voltage protection setting prolongs the battery usage
- CAN bus technology reduces wiring complexity and increase reliability
- Side battery extraction.

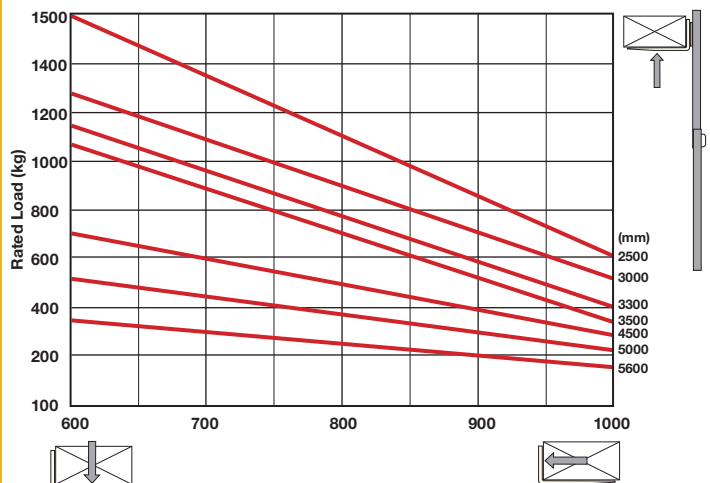
VDI 2198 – General Specifications

Distinguishing mark	1.1	Manufacturer		Yale	
	1.2	Manufacturer's type designation		MS15XUX	
	1.3	Drive: electric (battery or mains), diesel, petrol, fuel gas		Electric (battery)	
	1.4	Operator type: hand, pedestrian, standing, seated, order-picker		Standing	
	1.5	Rated load capacity/rated load	Q (kg)	1500	
	1.6	Load centre distance	c (mm)	600	
	1.8	Load distance, centre of drive axle to fork	x (mm)	672	
	1.9	Wheelbase	y (mm)	1378	
	Weights	2.1	Service weight (with battery)	kg	1180 / 1205 / 1210 / 1130 / 1180 / 1300 / 1310
2.2		Axle loading, laden front/rear	mm	1830 / 1140	
2.3		Axle loading, unladen front/rear	mm	1040 / 470	
Tyres/chassis	3.1	Tyres: polyurethane, tophane, Vulkollan®, front/rear		Polyurethane	
	3.2	Tyre size, front		Φ 250 × 70	
	3.3	Tyre size, rear		Φ 80 × 84	
	3.4	Addition wheel (dimensions)		Φ 150 × 60	
	3.5	Wheels, number front rear(x=driven wheels)		1X + 2/4	
	3.6	Tread, front	b ₁₀ (mm)	580	
	3.7	Tread, rear	b ₁₁ (mm)	404 / 530	
Dimensions	4.2	Height, mast lowered	h ₁ (mm)	1735 / 1985 / 2135 / 2235 / 2050 / 2210 / 2410	
	4.3	Free lift (option 2500~3500mm)	h ₂ (mm)	1300 / 1550 / 1700 / 1800 / 1570 / 1740 / 1940	
	4.4	Max.lift height	h ₃ (mm)	2500 / 3000 / 3300 / 3500 / 4500 / 5000 / 5600	
	4.5	Height, mast extended	h ₄ (mm)	2955 / 3455 / 3755 / 3955 / 5030 / 5510 / 6110	
	4.6	Initial lift	h ₅ (mm)	1150 / 1450	
	4.19	Overall length	l ₁ (mm)	2020 / 2100	
	4.20	Length to face of forks	l ₂ (mm)	950	
	4.21	Overall width	b ₁ / b ₁ (mm)	850	
	4.22	Fork dimensions	s/e/l (mm)	60 / 80 / 1070 (1150)	
	4.25	Width overall forks	b ₅ (mm)	570 / 695	
	4.32	Ground clearance, centre of wheelbase	m ₂ (mm)	31	
4.34.1	Aisle width for pallets 1000 × 1200 crossways	Ast (mm)	2535		
4.34.2	Aisle width for pallets 800×1200 crossways	Ast (mm)	2515		
4.35	Turning radius	W _a (mm)	1655		
Performance data	5.1	Travel speed, laden/unladen	km/h	6.5 / 6.7	
	5.2	Lift speed, laden/unladen	km/h	0.11 / 0.14	
	5.3	Lowering speed, laden/unladen	m/s	0.12 / 0.12	
	5.7	Gradeability, laden/unladen	%	8 / 15	
	5.10	Service brake		Electromagnetic	
Electric engine	6.4	Battery voltage,nominal capacity K ₅	V/Ah	24 / 240	24 / 300
	6.5	Battery weight	kg	220	260
		Battery compartment dimensions, l/w/h	mm	675 x 254 x 500	675 / 254 / 540
	10.7	Sound pressure level at the driver's seat	dB (A)	70	

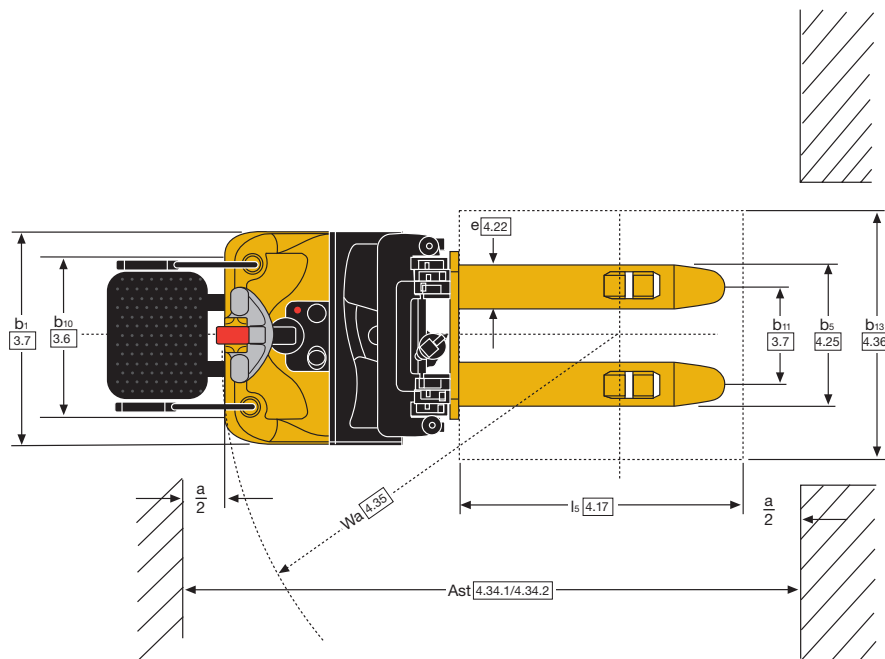
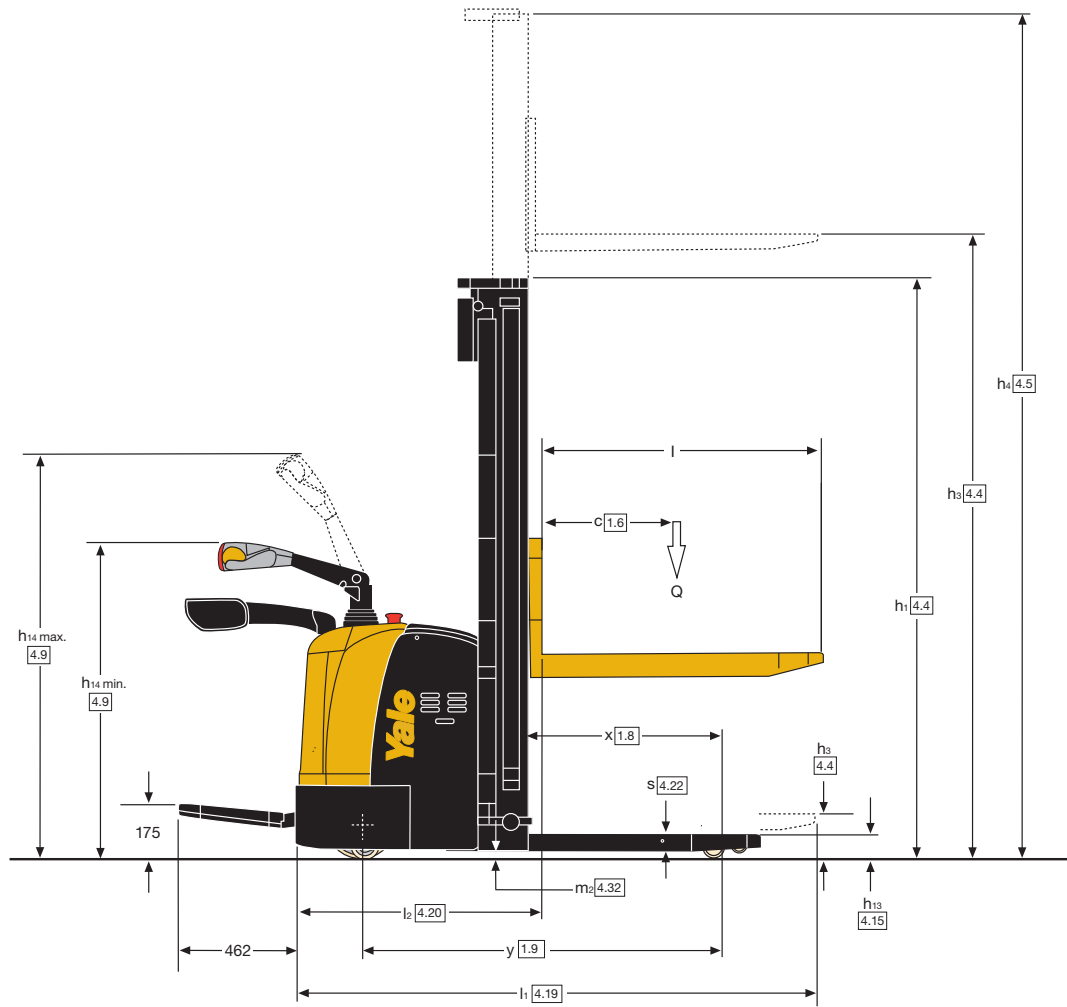
Load Center



Load Capacity



Truck Dimensions



MS15XUX



Yale Europe Materials Handling



Centennial House
Frimley Business Park
Frimley, Surrey GU16 7SG
United Kingdom

Tel: +44 (0) 1276 538500
Fax: +44 (0) 1276 538559

www.yale.com



Publication part no. 220990854 Rev.00 Printed in The Netherlands (0520HG) EN.
HYSTER-YALE UK LIMITED trading as Yale Europe Materials Handling.
Specification is subject to change without notice.

Yale, VERACITOR and  are registered trademarks. "PEOPLE, PRODUCTS, PRODUCTIVITY",
PREMIER, Hi-Vis, and CSS are trademarks in the United States and certain other jurisdictions.
MATERIALS HANDLING CENTRAL and MATERIAL HANDLING CENTRAL are Service Marks in
the United States and certain other jurisdictions.  is a Registered Copyright.
© Yale Europe Materials Handling 2020. All rights reserved. Truck shown with optional equipment.
Country of Registration: England and Wales. Company Registration Number: 02636775